

3P
A

4P
B

5P
C

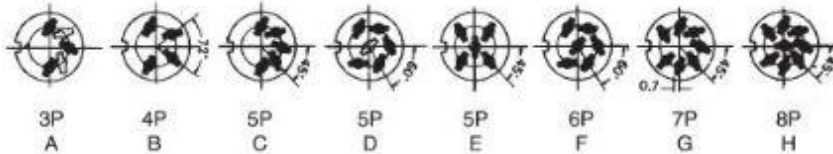
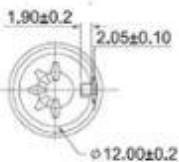
5P
D

5P
E

6P
F

7P
G

8P
H



3P
A

4P
B

5P
C

5P
D

5P
E

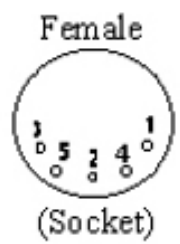
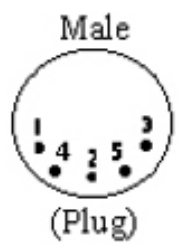
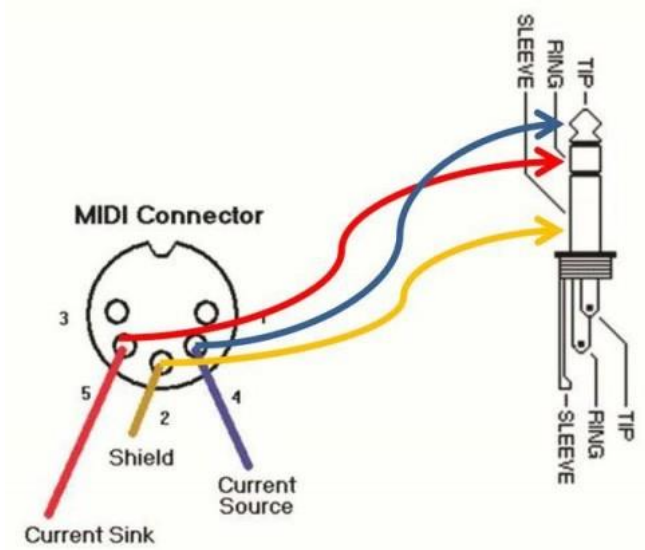
6P
F

7P
G

8P
H



How to connect with 3.5 stereo jack



- 5-pin DIN (AT/XT):**
- 1 - Clock
 - 2 - Data
 - 3 - Not Implemented
 - 4 - Ground
 - 5 - Vcc (+5V)